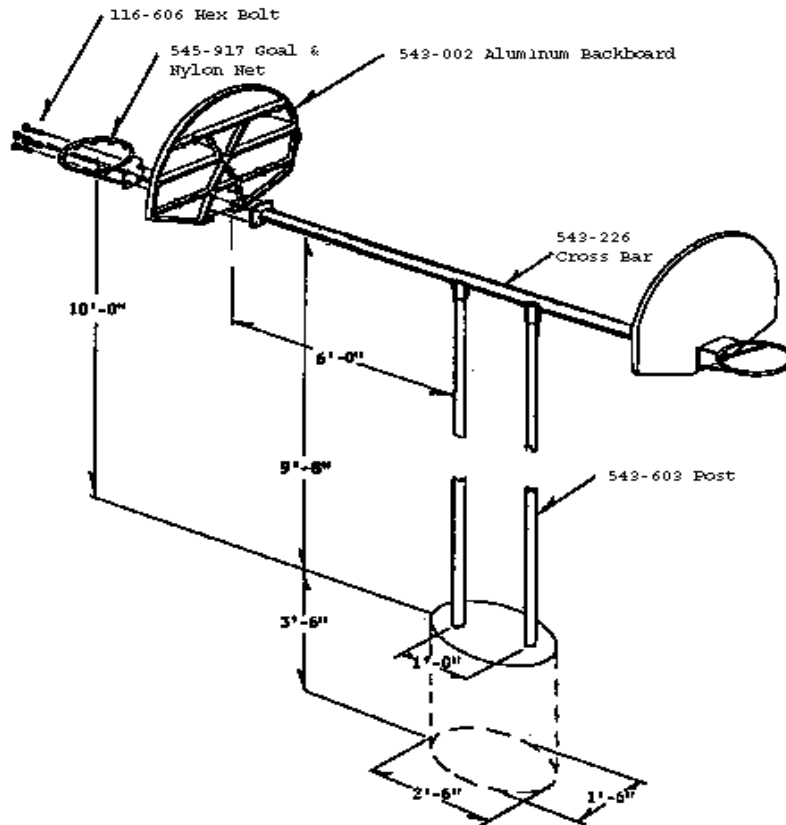


# 541-866 Double Aluminum Backboard 6' Extension

Page 1 of 1  
Rev. 05/27/03

## IMPORTANT

PLEASE READ THESE INSTRUCTIONS BEFORE COMMENCING ASSEMBLY. All equipment must be installed in accordance with these instructions. Check your shipment against Bill of Lading and Parts list. Any missing or broken parts must be reported to your distributor within 10 days of receipt of your order. When properly installed and maintained, equipment will give many years of Safe, Trouble-Free use. Periodically check for loose or broken parts. Loose bolts must be tightened and broken parts must be replaced as they can possibly create dangerous situations leading to unnecessary accidents.



### PACKING LIST

1	CTN	1	Hardware Bag	4
1	CTN	1	545-917 Goal & Net	8
1	CTN	1	545-917 Goal & Net	16
1	CTN	1	543-002 Aluminum Backboard	8
1	CTN	1	543-002 Aluminum Backboard	1
1	WF	1	543-226 3 1/2" x 13'0" Cross Bar	8
2	PIPE	1	543-603 3 1/2" x 13' Post	

### HARDWARE BAG

4	196-803	1/2" x 3/4" Socket Set Screw
8	116-606	3/8" x 1 1/2" Hex Bolt
8	316-601	3/8" Flat Washer
8	216-601	3/8" Hex Nut
1	416-400	1/4" Socket Key
8	236-604	3/8" Round T Nut

4 CTN	1 WF	2 PIPE	7 TOTAL PCS	315# Weight	Class 70
-------	------	--------	-------------	-------------	----------

### ASSEMBLY AND INSTALLATION:

SportsPlay Equipment, Inc., 5642 Natural Bridge, St. Louis, MO 63120 (314) 389-4140

**541-866 Double Aluminum Backboard**  
**6' Extension**

Page 2 of 2  
Rev. 05/27/03

**NOTE:** All threaded ends of bolts protruding beyond nuts must be cut off and/or peened to eliminate sharp edges. No more than two threads should extend beyond face of nut. All washers, "T" nuts, and other fastener hardware used on round pipe or tubing must be hammered down to conform to the curved underlying surface to eliminate catch points.

**DO NOT tighten nuts more than hand-tight until entire assembly is completed.**

STEP #1: Locate and dig footing hole for post.

STEP #2: Attach 543-226 Cross Bar to 543-603 Support Posts using:

4 - ½" x ¾" Socket Set Screws

STEP #3: Place assembly into footing hole. Brace posts so that distance from underside of extension to top of playing surface is 9'8" level and square with playing court.

STEP #4: Mix and pour concrete into footing hole using:

15 - 80lb. Bags of Pre-Mix crown top for drainage.

STEP #5: Attach 543-002 Aluminum backboards to cross bar ends using at each end:

4 - 3/8" x 1 ½" Hex Head tap bolt

4 - 3/8" Flat Washer

4 - 3/8" Round T nut

NOTE: Insert bolts with washer attached from post side into T nut with threaded end inserted into backboard openings so that bolt ends extend beyond backboard. Level backboard on post.

STEP #6: Attach Goals to Backboards using at each end:

4 - 3/8" Hex Nuts

4 - 3/8" Flat Washers

NOTE: Tighten goal to backboard to cross bar holding front hex nut and tightening on bolt end. This pulls the threaded round T nut tight to backboard.

NOTES: Wait 48 hours for concrete to harden before using unit. DO NOT install where overhead electrical wires are present. Be sure the distance between the top of the rim and the playing surface is 10' 0".

**MAINTENANCE INSTRUCTIONS:**

Check periodically for loose bolts, broken parts and replace immediately.